

innuos



# New ZEN Mk3 Music Servers

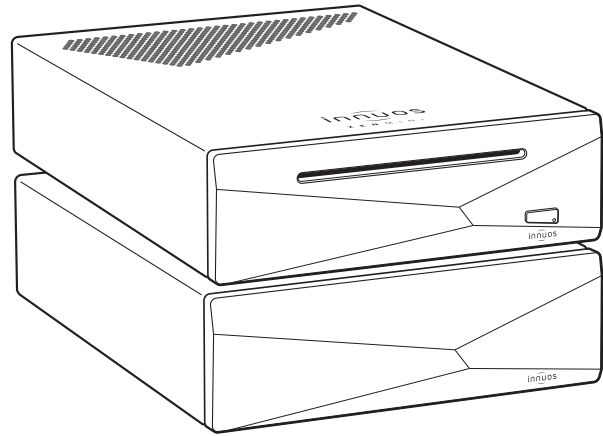
Upgrade your digital source

Powered by innuOS

# Zen Mk3 Music Server Series

The ZEN Mk3 Music Server Series continues our pursuit of bringing Digital Music to new heights. Learning from our experience and success of the ZENith MkII SE, including our collaboration with Dr. Sean Jacobs, the Mk3 family benefits from trickle-down technology.

We advanced our three key design areas: minimising power noise, reducing vibration and optimising firmware, resulting in the entire range benefiting from upgraded power supplies, new custom motherboards and new chassis. The ZEN and ZENith also receive upgraded anti-vibration with asymmetrical isolation feet, whilst the new Mini now also enjoys greater connectivity, and an optional Linear Power Supply upgrade.

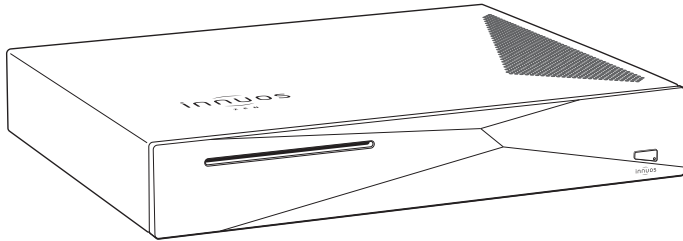


## ZENmini

From €999 • £899 (1TB HDD)

Our gateway server with all the full benefits of innuOS, now with improved connectivity and a new upgrade path for even greater flexibility. Ideal for simple integration into multi-room systems or for those making the first step to a dedicated audio server. New features include:

- **Custom motherboard with dual Ethernet ports** - Optimisation for audio performance and network passthrough to nearby network devices.
- **Optical and coaxial SPDIF digital outputs.**
- **Optional Linear Power Supply upgrade** (From €499 • £449) Improve sound quality using our external LPSU upgrade in matching chassis, backward compatible with the ZENmini MkII.

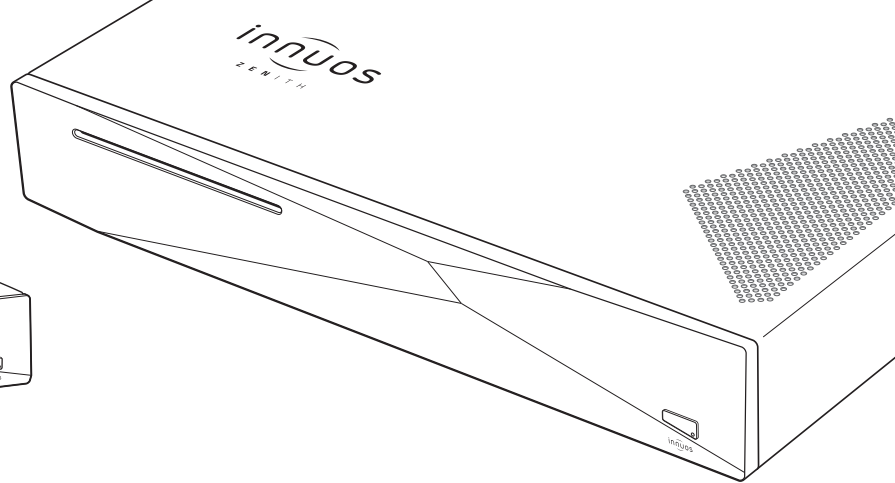


## ZEN

From €2,099 • £1,899 (1TB HDD)

For music enthusiasts who want to enjoy their large music libraries with a dedicated server delivering Hi-Fi quality, the ZEN Mk3 represents new value for money in digital audio performance. The new ZEN Mk3 now has:

- **Dual Linear Power Supply** – With ultra-low noise regulators and Nichicon Capacitors.
- **Custom-made motherboard** - With improved EMI treatment.
- **Asymmetrical isolation feet** - Derived from the successful design implementation on the ZENith SE.



## ZENith

From €3,399 • £2,999 (1TB SSD)

Pushing our popular ZENith even further, the Mk3 is designed for Audiophiles who want a smoother, more relaxed sound with a wider soundstage.

The new ZENith Mk3 extends ZEN Mk3's new features, such as the new EMI-treated Custom motherboard and Asymmetrical isolation feet, and takes performance even further through:

- **Premium Triple-Linear Power Supply** - With ultra-low noise regulators and premium Mundorf Capacitors, using trickle-down technology from the ZENith SE.
- **Vibration and EMI treated SSD.**

## About Innuos

Usability and audiophile performance. These two principles have been at odds with one another in the Music Server and Digital Audio world for a long time, but we set out to change this when Innuos was founded in 2009. We maintain our vision that high-quality audio does not mean compromising in ease-of-use. Through precise matching of hardware and software synergies, our music servers continue to prove that the digital source can still be pushed to new levels.

## Powered by innuOS

Our unique innuOS operating system was developed in-house and allows complete Music Library management from your tablet, smartphone, or computer. Ripping CDs, importing music, editing album data (including covers), playing, streaming and backing up your music library can all be performed from the comfort of your smart device. innuOS also contains many intelligent features to help organise your Music Library, such as our rule-based music import engine and Assisted CD Ripping mode. innuOS can also run in Roon Core or Roon Bridge mode.